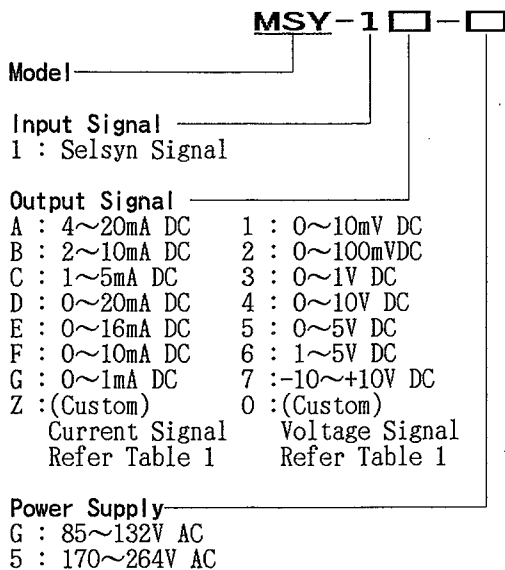


General Specifications

MSY
Selsyn Transmitter

JUXTA

This plug-in type Selsyn Transmitter inputs angle signal from selsyn generator (syncho generator) and converts it into DC voltage or DC current signal. Through communication with Handy Terminal (JHT-100 or JHT200), settings of rotating direction, zero/span of input range, linearization, adjustment of zero/span of input/output and monitoring of input/output, etc. can be done. When setting of input angle range in the field, fix the place of selsyn generator. Setting of 0%, 100% can be done simply by one push of Handy Terminal. Input power supply can be selected either 85~132V AC or 170~264V AC. 2000V AC high voltage proof.



ORDERING INFORMATION

- Model Code : (Example) MSY-13-5
- Rotating direction : (Example) CCW (Counter clock-wise)
- Input Range : (Example) 0~180°

*Angle of input range can be specified down to one place of decimals.

Input Specifications	
Input Point	: 1
Input Signal	: Selsyn generator
Rating Input Voltage	: 90V AC
Rotating Direction	: CCW (counter clockwise) or CW (clock-wise)
Measuring Range	: 0~360°
Zero Setting Range	: 0~360°
Span Setting Range	: 60~360°
Input Resistance	: 300kΩ

Linearization : Setting is possible at segmental point of 2~32 (Linearization is set at OFF when shipment from factory)	
Output Specifications	
Output Point : 1 point	
Permissible Load Resistance :	
Output Range	Output Range
4~20mA DC : below 750Ω	0~10mV DC : over 250KΩ
2~10mA DC : " 1500Ω	0~100mV DC : " 250KΩ
1~5mA DC : " 3000Ω	0~1V DC : " 2KΩ
0~20mA DC : " 750Ω	0~10V DC : " 10KΩ
0~16mA DC : " 900Ω	0~5V DC : " 2KΩ
0~10mA DC : " 1500Ω	1~5V DC : " 2KΩ
0~1mA DC : " 15kΩ	-10~+10V DC : " 10KΩ
Output Variation Range :	
-6~106% (However, more than 0.1mA for Code D·E·F and more than 0.0125mA for Code G)	
Standard Performance	
Conversion Accuracy :	
±0.1% F.S. or ±0.3° whichever greater	
Response Speed : 500ms 63% response (10~90%)	
Insulation Resistance :	
Over 100MΩ (500V DC) between input~output~power supply~ground	
Withstand Voltage :	
2000V AC/minute between input~output~power supply~ground	
Temperature Range : 0~50°C	
Humidity Range : 5~90% RH (no condensation)	
Power Voltage : 85~132V AC, 170~264V AC (47~63Hz)	
Effect of Power Voltage Fluctuation :	
Less than ±0.1% of span for fluctuation of power voltage range	
Effect of Ambient Temperature Change :	
Less than ±0.1% of span for change of 10°C	
Max. Current Dissipation :	
5VA (when voltage output) 7VA (when current output)	
Mounting, Shape & Accessories	
Materials	Case ABS plastic
Mounting Method	Wall and DIN rail mountings (More than 5mm interval is required for close mounting)
Connecting Method	M3.5 screw terminal
External Dimension	85x50x123mm(HxWxD) (including socket)
Weight	Body : Abt. 200g Socket : Abt. 60g
Accessories :	
Tag number label 2 Spacer 1 (use for DIN rail mounting)	

CUSTOM ORDER SPECS.

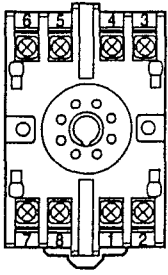
Table 1 Manufacturable Range

	Current Signal	Voltage Signal
Output Range	0~20mA DC	-10~+10V DC
Span	1~20mA DC	10mV~20V DC
Zero Elevation	0~150%	-125~+400% (*)

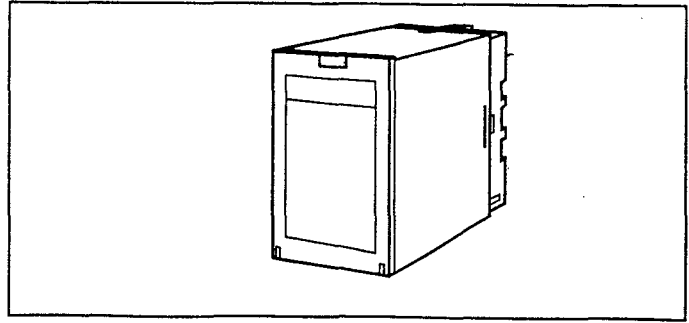
(*) Span less than 20mV DC is -50~+25%

In case of input span is more than 359.7° , 0% and 100% output data showing in input and output characteristics are only reference values.

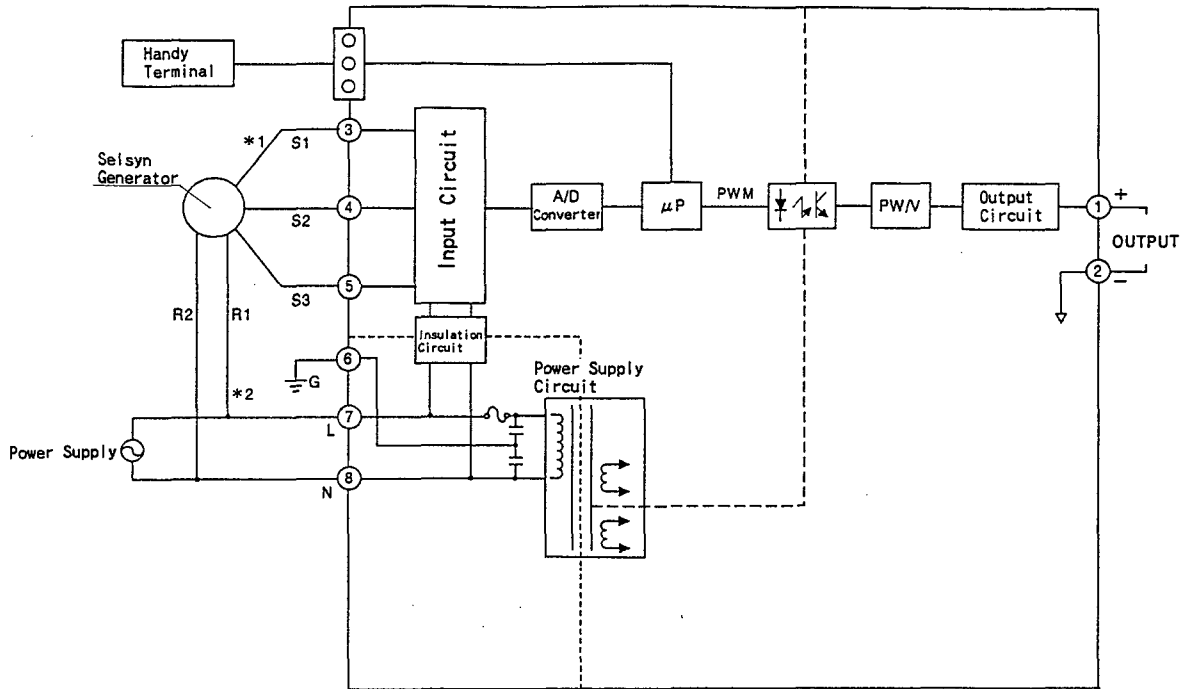
TERMINAL ARRANGEMENT



TML NO.	SIGNAL	
1	+	OUTPUT
2	-	
3	S1	INPUT
4	S2	
5	S3	
6	G	SUPPLY
7	L	
8	N	

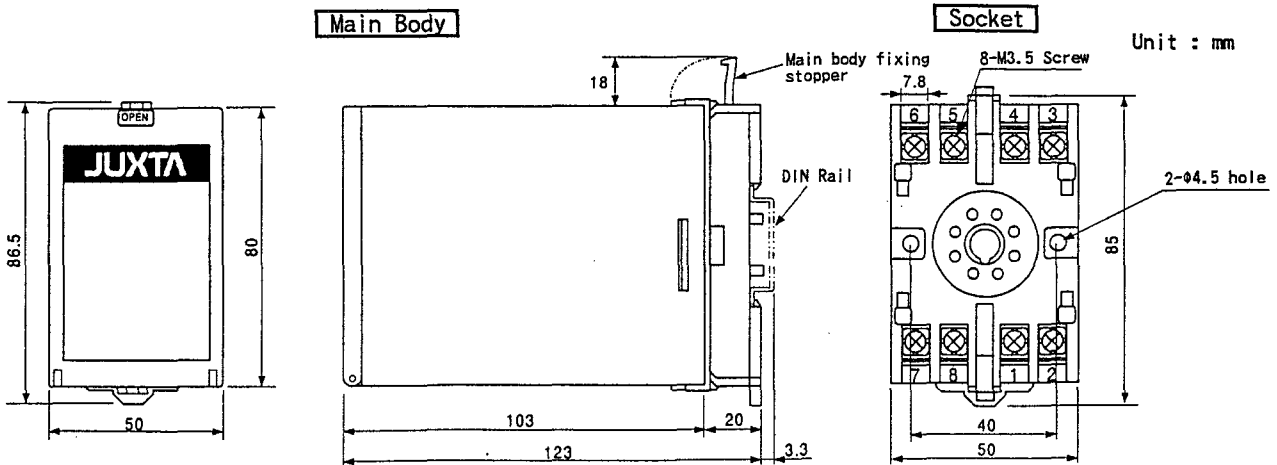


BLOCK DIAGRAM



- Note : *1 Connect signal cable of S1, S2, S3 of Selsyn Generator to 3, 4, 5 of Selsyn Transmitter respectively.
 *2 Power Supply has polarity. Be careful for connection of R1 and R2 of Selsyn Generator. In case connection is made in reverse, output signal will be slipped out 180° in conversion of selsyn generator axle.

EXTERNAL DIMENSION



Subject to change without notice for grade up quality and performance